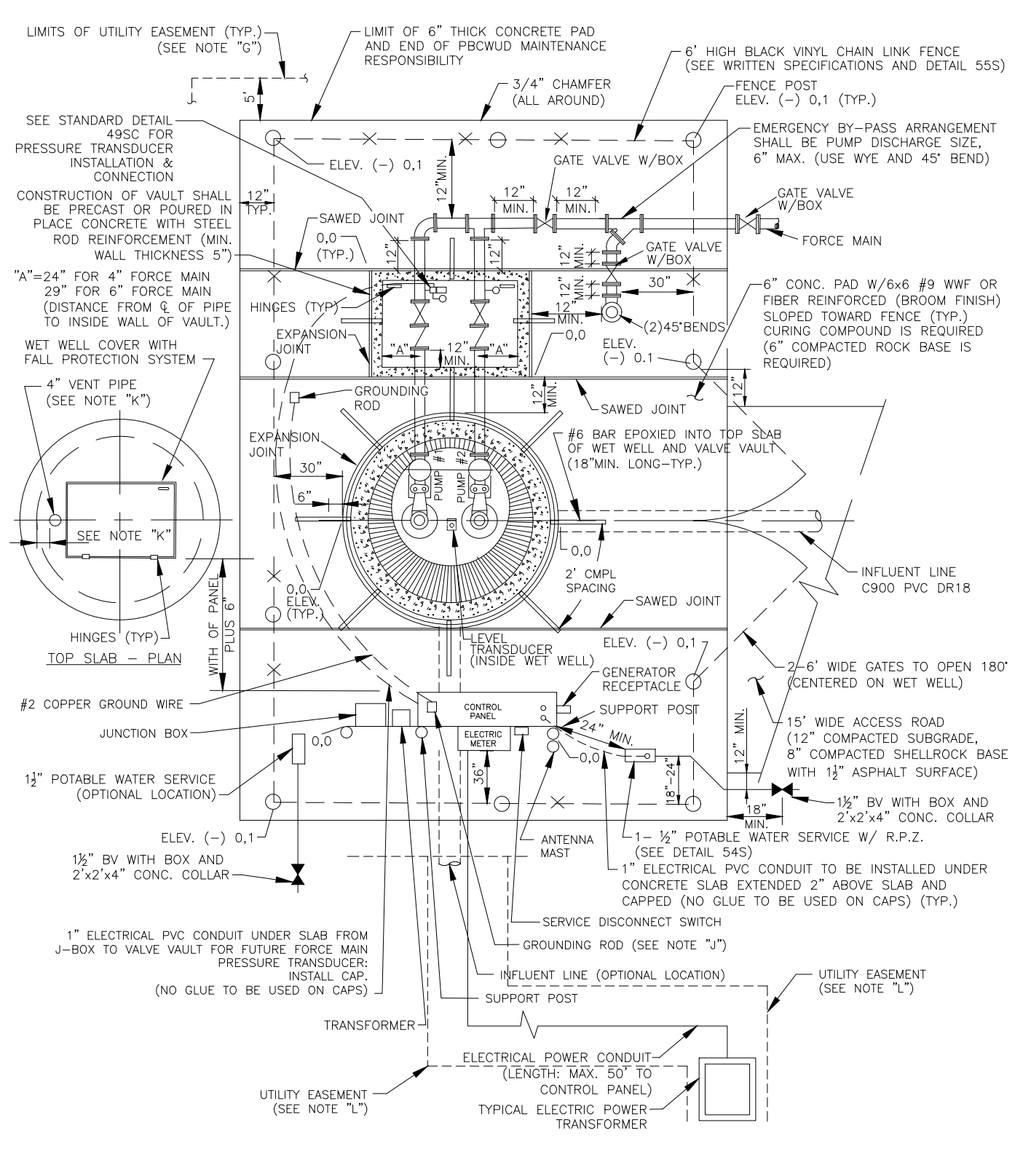


DATE	REVISION / REMARKS
DEC 2021	GENERAL REVISION
JAN 2023	GENERAL REVISION

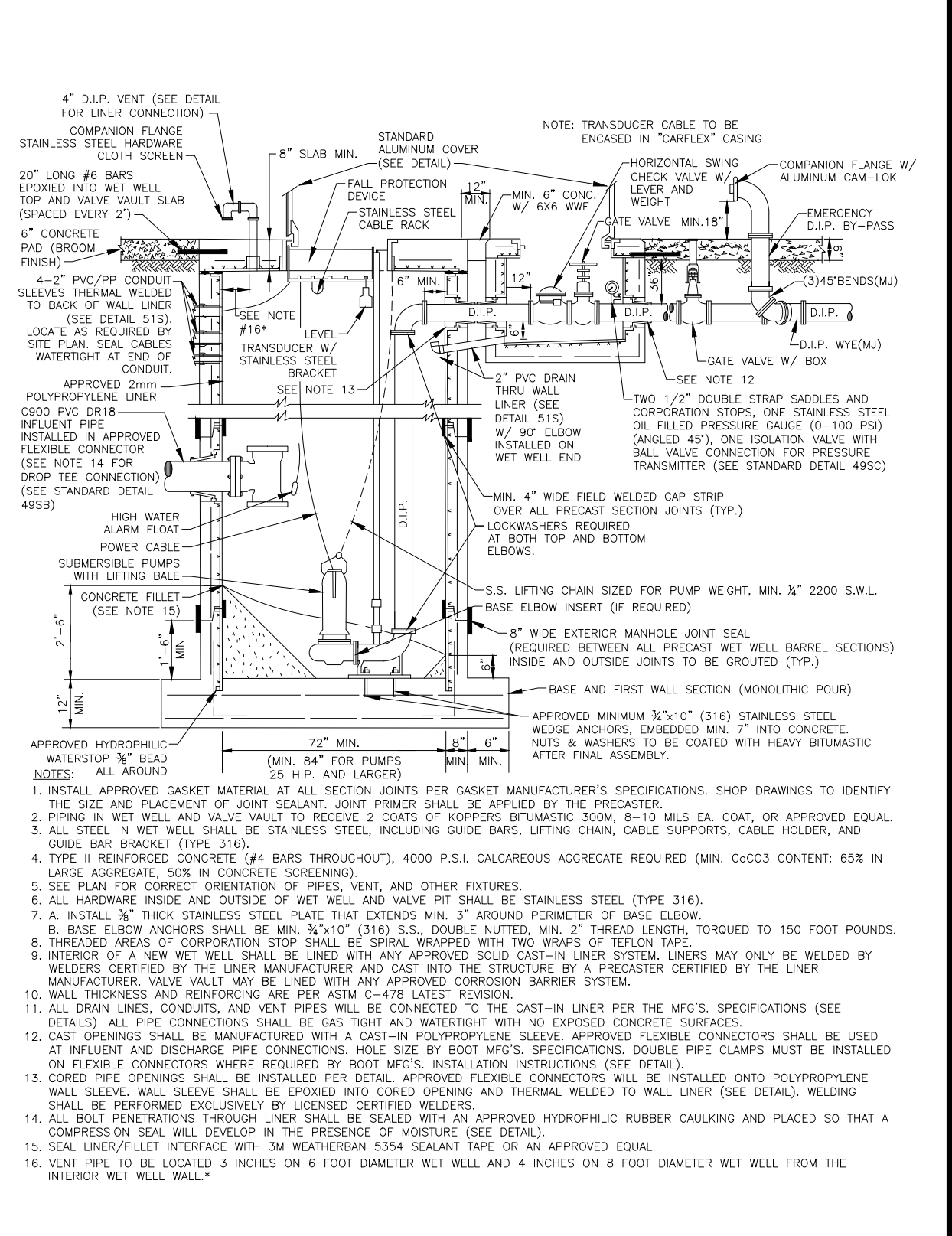


NOTE: SEE DETAIL 48S FOR NOTES RELATED TO 47S

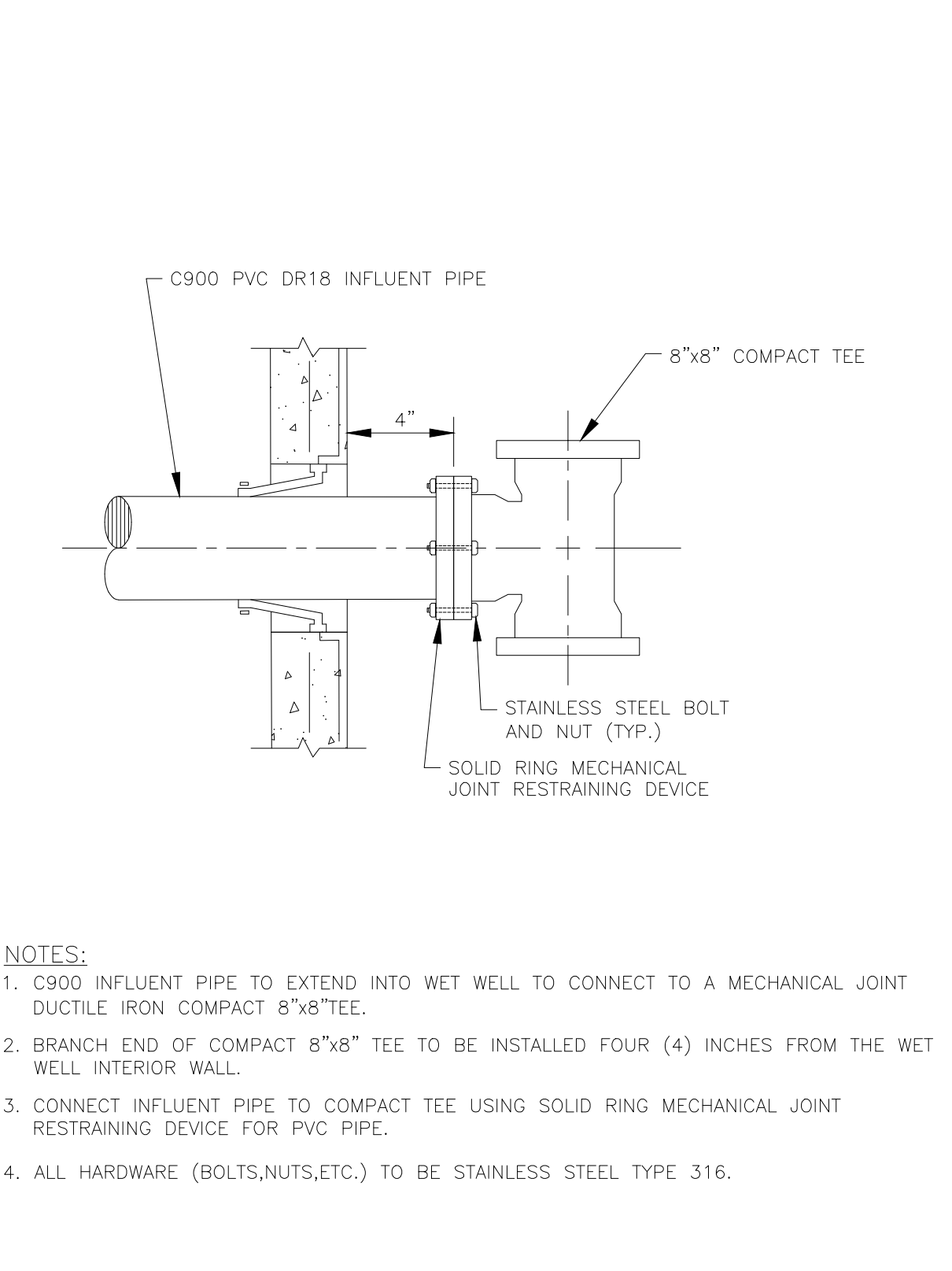
TYPICAL LIFT STATION SITE PLAN DETAIL * 47S

- NOTES:
- ENGINEER SHALL DESIGN SITE PLAN USING THE "TYPICAL LIFT STATION SITE PLAN DETAIL". "SITE PLAN LOCATION" DETAIL SHALL BE DRAWN TO SCALE NOT SMALLER THAN 1"=10' WITH:
 - NORTH ARROW, STREET NAME.
 - FENCE WITH 2-6" WIDE GATES.
 - INFLUENT LINE ENTRY LOCATION WITH MANHOLE AND GRAVITY MAIN DATA.
 - HINGE LOCATION (HINGES FOR SET WELL COVER MUST BE LOCATED ON THE CONTROL PANEL SIDE, HINGED FOR VALVE VAULT COVER SHALL BE LOCATED ON DISCHARGE SIDE OF FORCE MAIN.)
 - POWER SERVICE FEED (WITH "AS BUILTS"), MAXIMUM LENGTH OF ELECTRICAL SERVICE FROM THE TRANSFORMER / HANDHOLE TO CONTROL PANEL SHALL BE 50 FEET.
 - EMERGENCY PUMP OUT LOCATION (SHALL BE SAME SIZE AS PUMP DISCHARGE).
 - THE STATION SHALL BE POSITIONED SO THE FRONT OF CONTROL PANEL DOES NOT FACE WEST OR SOUTH (NORTH AND EAST ARE PREFERRED)
 - HORIZONTAL DISTANCE FROM PANEL FRONT TO WET WELL OPENING, SHALL BE WIDTH OF CONTROL PANEL PLUS 6".
 - DESIGN TO BE COORDINATED WITH "TYPICAL LIFT STATION PLAN DETAIL".
 - FENCED AREA TO BE COVERED WITH 2 PLY 4.0 (FOUR) MIL VISQUEEN AND A 6" CONCRETE PAD WITH #9 WIRE MESH (6" x 6") - BROOM FINISH REQUIRED. CONCRETE PAD TO EXTEND 12" BEYOND FENCED AREA.
 - INFLUENT MAIN SHALL BE CLEAR OF VAULT.
 - LANDSCAPE AREA ADJACENT TO LIFT STATION SITE MAY BE LANDSCAPED SUBJECT TO PRIOR APPROVAL BY THE DEPARTMENT. ONLY HEDGES WITH NON-AGGRESSIVE ROOT SYSTEM WILL BE APPROVED. MIN. 5' FROM CONCRETE PAD TO BUSHES, MIN. 5' FROM DRIVEWAY TO BUSHES, MIN. 10' FROM DRIVEWAY TO ANY TREES, (SUBJECT TO PRE-APPROVAL BY P.B.C.W.U.D.) THE DEVELOPER/SUCCESSOR SHALL BE RESPONSIBLE FOR THE MAINTENANCE OF THE LANDSCAPING. APPROVED BUSHES ARE: EUGENIA, SURINAM CHERRY, WAX MURTEL, SIMPSON STOPPER, SOUTHERN RED CEDAR. WOODEN FENCES ARE NOT ACCEPTABLE.
 - A PLATTED LIFT STATION EASEMENT OR EXCLUSIVE PALM BEACH COUNTY UTILITY EASEMENT TO COVER AREA MIN. 5' BEYOND LIFT STATION CONCRETE PAD.
 - ALL EXPOSED (NOT BURIED) JOINTS SHALL BE FLANGED, BURIED JOINTS SHALL BE MECHANICAL JOINT TYPE WITH MEGALUGS OR EQUAL.
 - VALVE VAULT DIMENSIONS (INSIDE):
 - 4" PIPING: 4'(L) x 6'(W) x 4'(D)
 - 6" PIPING: 5'(L) x 7'(W) x 4'(D)
 - MINIMUM TWO GROUNDING RODS SHALL BE MIN. 6' APART AND SHALL BE RECESSED THROUGH 6" PVC SLEEVES IN CONCRETE SLAB. THE RODS SHALL BE CONNECTED WITH A #2 BARE TINNED COPPER GROUNDING WIRE.
 - WETWELL VENT PIPE SHALL BE INSTALLED SO NOT TO INTERFERE WITH ACCESS TO THE WETWELL AND INSTALLED OPPOSITE OF GATE.
 - THE ELECTRIC POWER SERVICE FEED FROM THE POWER TRANSFORMER TO THE CONTROL PANEL SHALL BE LOCATED WITHIN AN UTILITY EASEMENT.

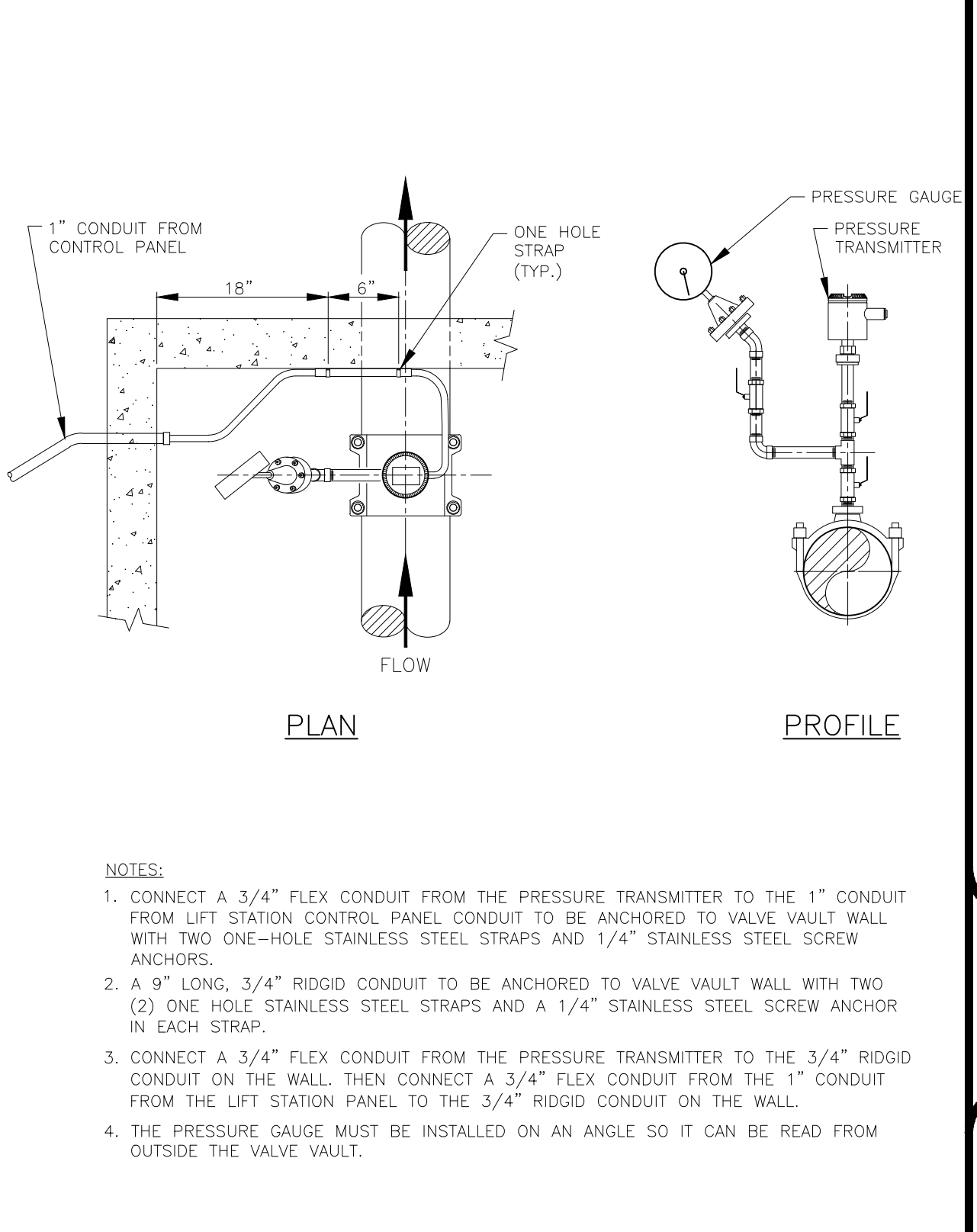
TYPICAL LIFT STATION SITE PLAN NOTES * 48S



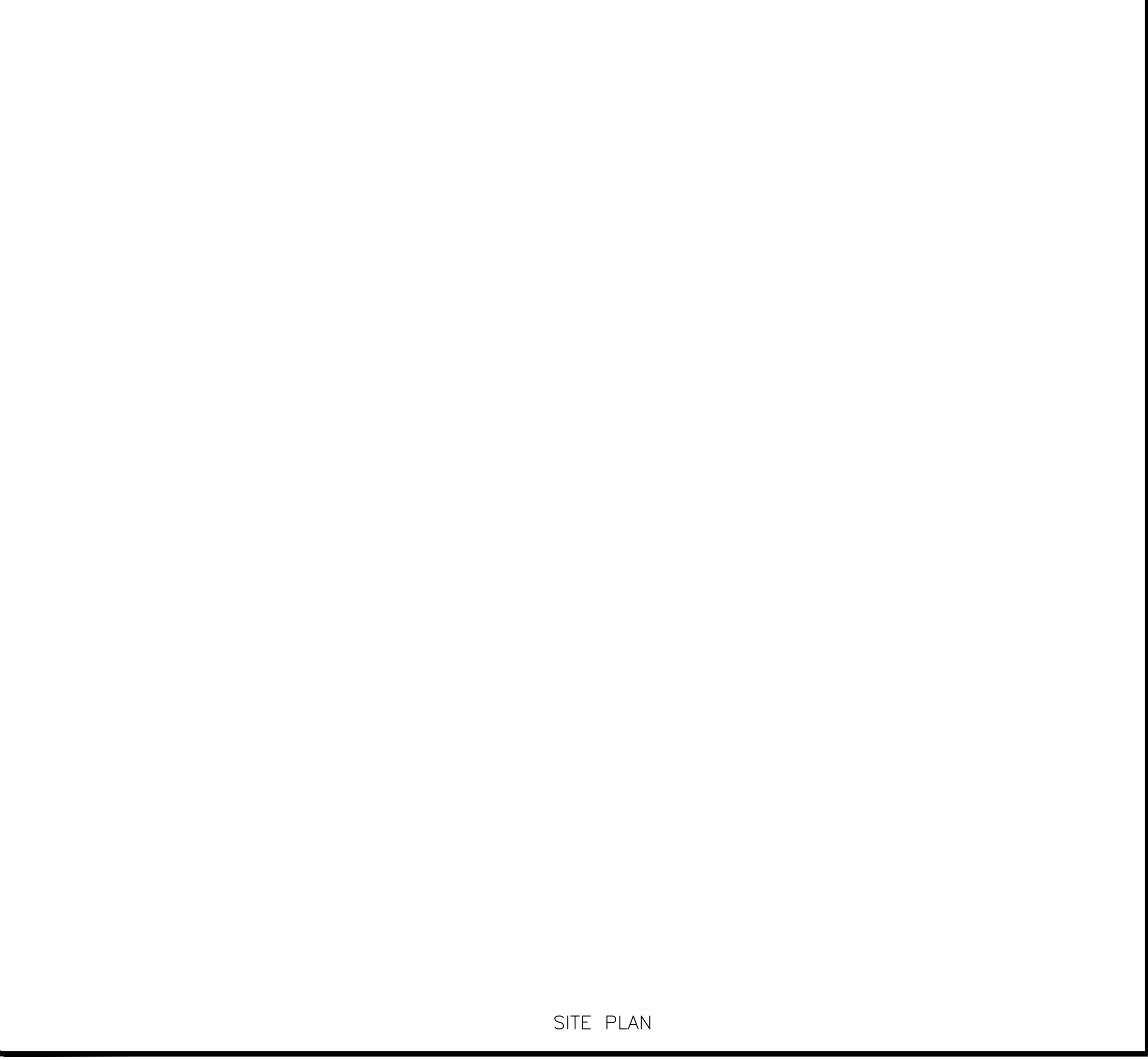
TYPICAL LIFT STATION SECTION WITH CAST-IN LINER * 49SA



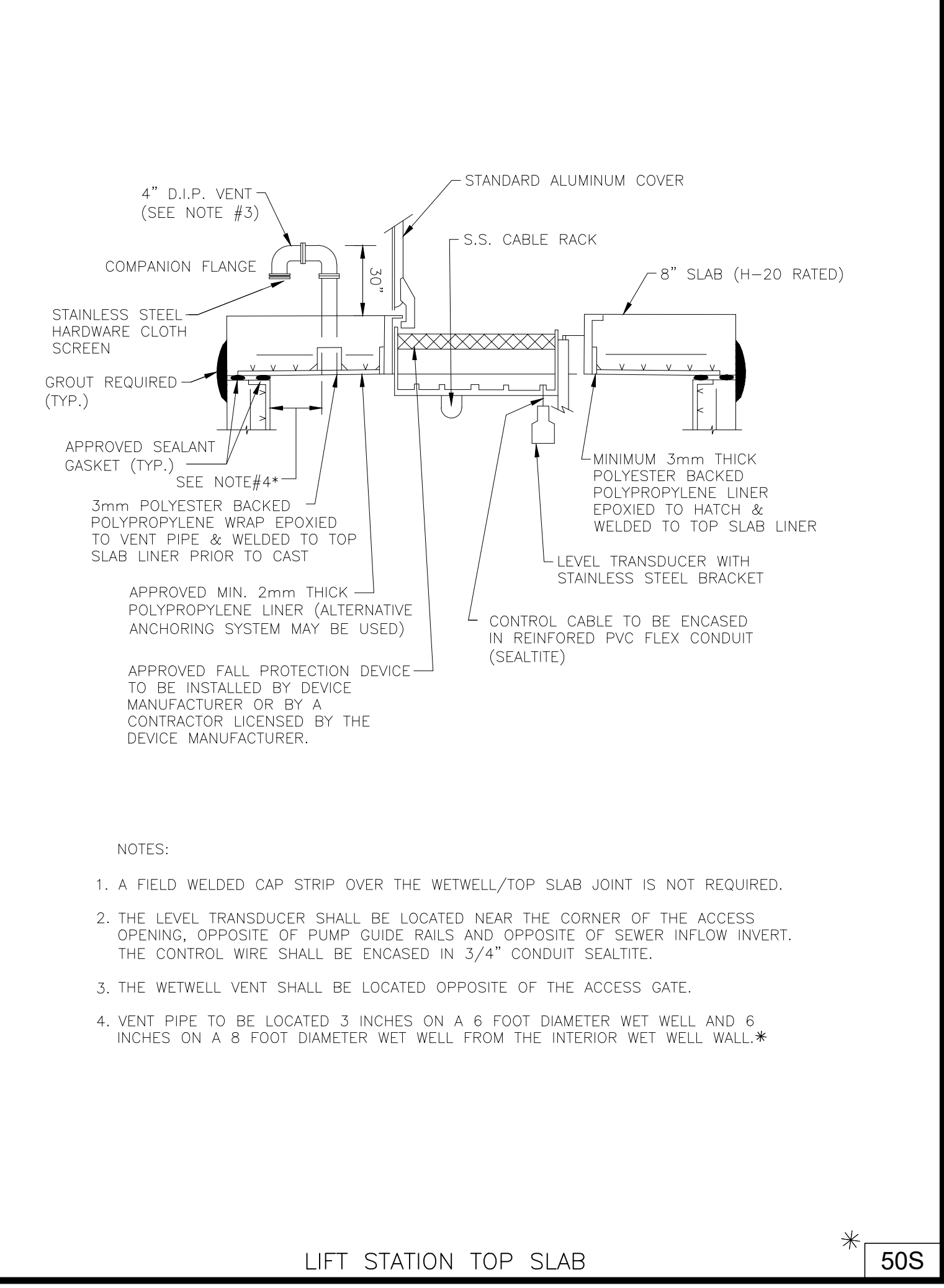
TYPICAL LIFT STATION SECTION DROP PIPE DETAIL & NOTES * 49SB



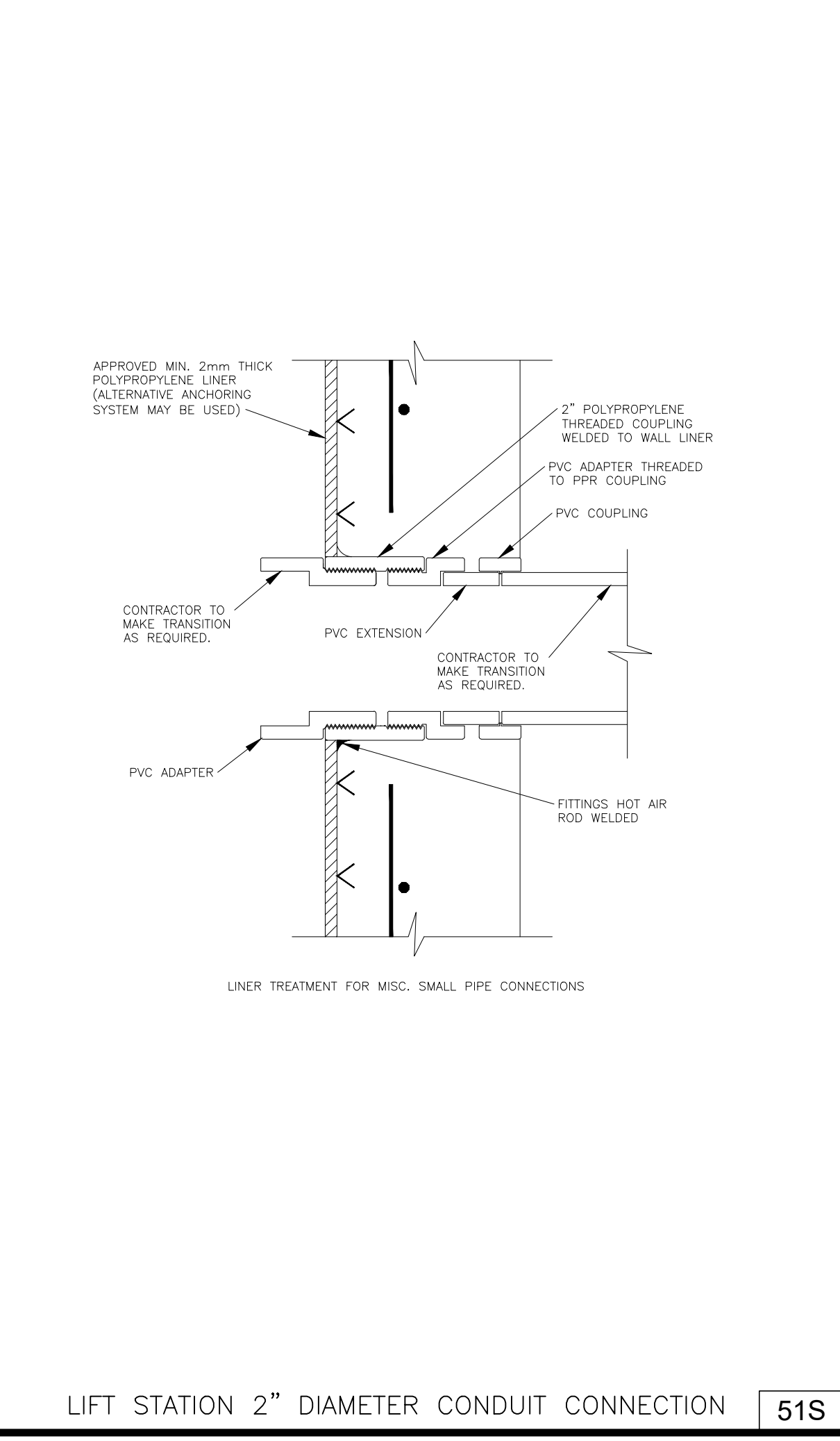
TYPICAL LIFT STATION VALVE VAULT PRESSURE TRANSMITTER DETAIL & NOTES * 49SC



SITE PLAN * 47S



LIFT STATION TOP SLAB * 50S



LIFT STATION 2" DIAMETER CONDUIT CONNECTION * 51S

PROPOSED		WET WELL DATA	
STATION NUMBER	AS-BUILT	HIGH WATER ALARM	
DIAMETER		STANDBY PUMP ON	
TOP SLAB ELEV.		DUTY PUMP ON	
BASE SLAB ELEV.		BOTH PUMPS OFF	
INFLUENT ELEV.		FINISHED GRADE	
		LOCATED ON SHEET	

PUMP DATA	
PUMP STATION NUMBER	
PUMP NUMBER	
MAX./MIN. G.P.M.	
MIN./MAX. T.D.H	
MANUFACTURER	
MODEL	
IMPELLER NUMBER	
R.P.M.	
H.P.	
SIZE	
MAX. SOLID SIZE	
PHASE	
CYCLE	
VOLTS	

RTU RECORD DATA	
ADDRESS	
GEOGRAPHICAL LOCATION	LOCATION DESCRIPTION
HEIGHT OF ANTENNA ABOVE SLAB	FEET (DISTANCES AND DIRECTIONS FROM CENTERLINES AND/OR INTERSECTIONS OF STREETS, CANALS OR EQUAL)
FREQUENCY	MHZ
POWER	WATTS
P.B.C. LIFT STATION No.	

LIFT STATION MECHANICAL STANDARD DETAILS, 1 OF 2

CONSULTANT:

IT'S THE LAW!
CALL 48 HOURS BEFORE YOU DIG
1-800-432-4770
SUNSHINE STATE ONE CALL OF FLORIDA, INC.
UTILITIES NOTIFICATION CENTER

DESIGNED BY: WUD
DRAWN BY: M. BUCKNER
CHECKED BY: J. LAMMERT
APPROVED BY: WUD
Palm Beach County
Water Utilities Department
P.O.Box 16097
West Palm Beach, FL 33416-6097