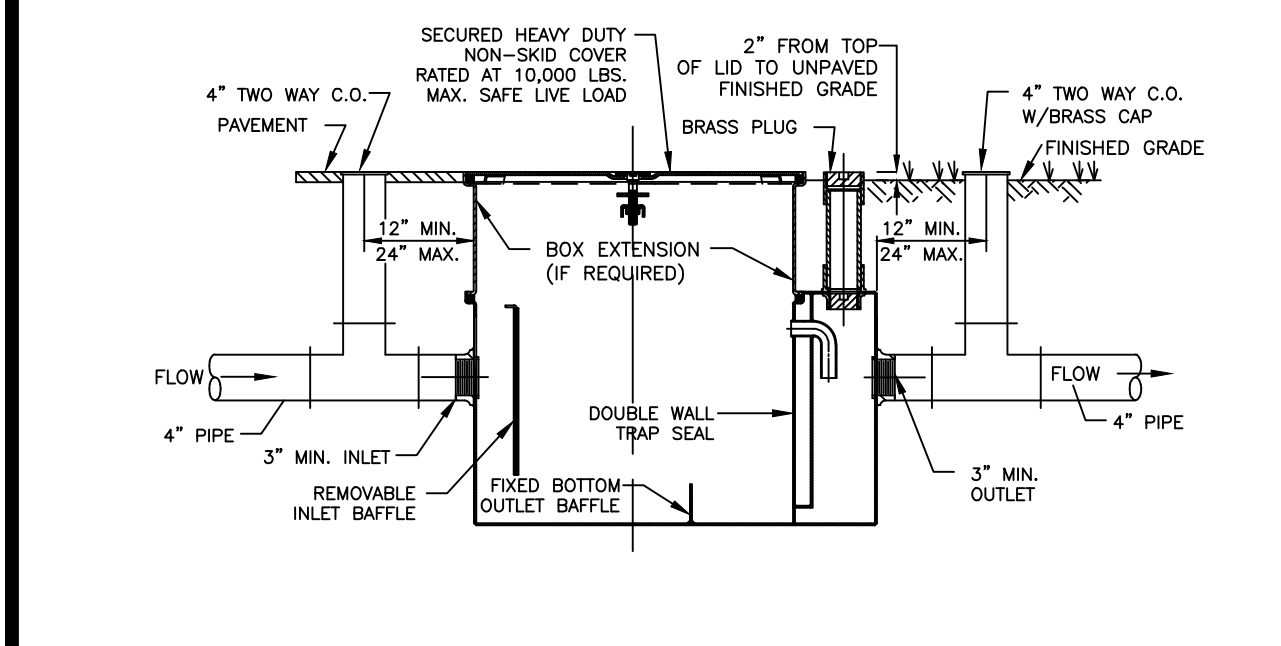
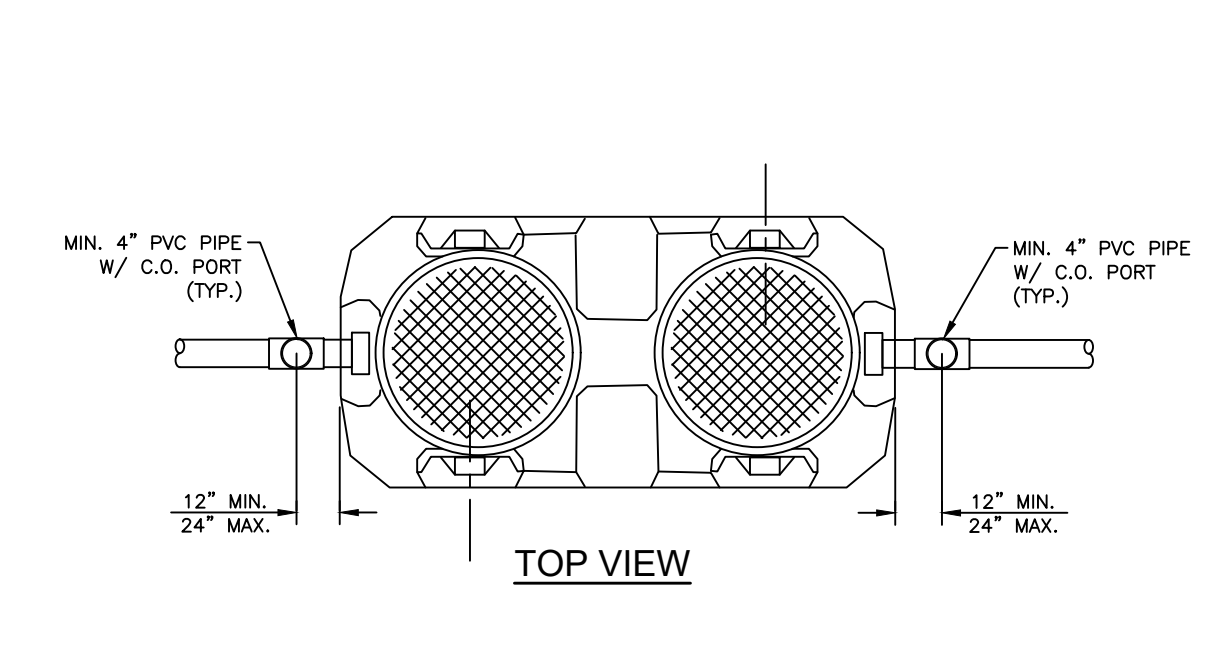


Table with columns: NO., DATE, REVISION / REMARKS, GENERAL REVISION, J.L., J.L.



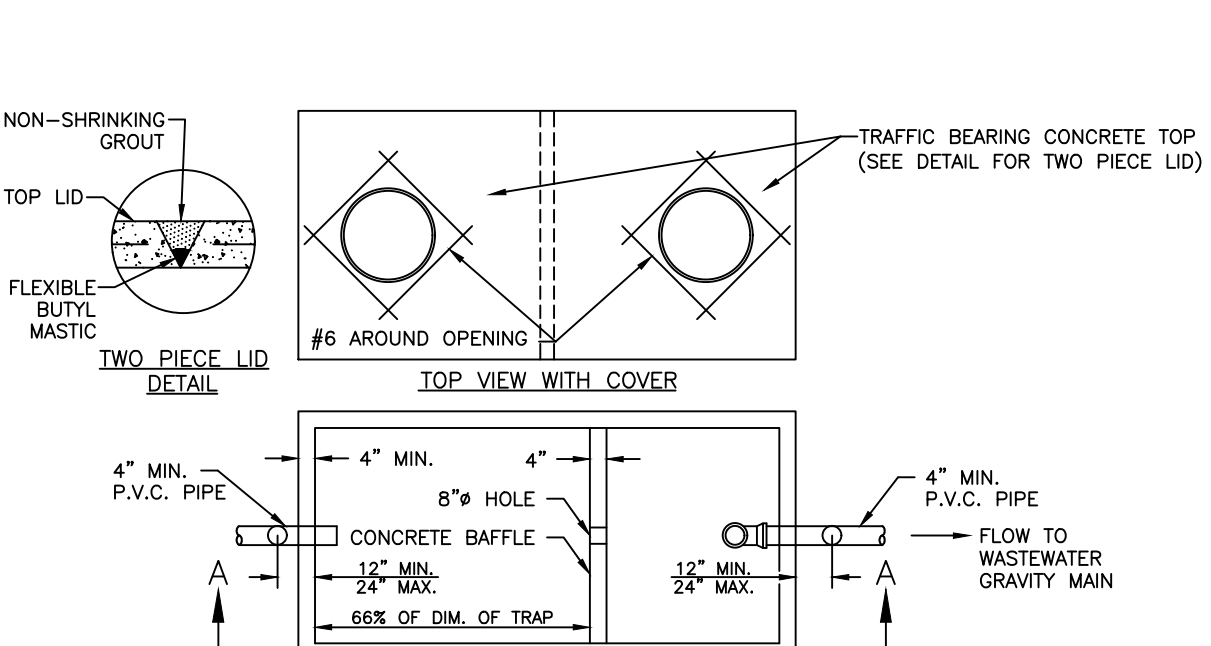
- NOTES: 1. THE GREASE TRAP SHALL BE WATER TIGHT AND GAS TIGHT... 2. THE GREASE TRAP SHALL BE CERTIFIED AND TAGGED... 3. THE GREASE TRAP MAY BE USED IF AN OIL/GREASE INTERCEPTOR IS NOT REQUIRED...

3S



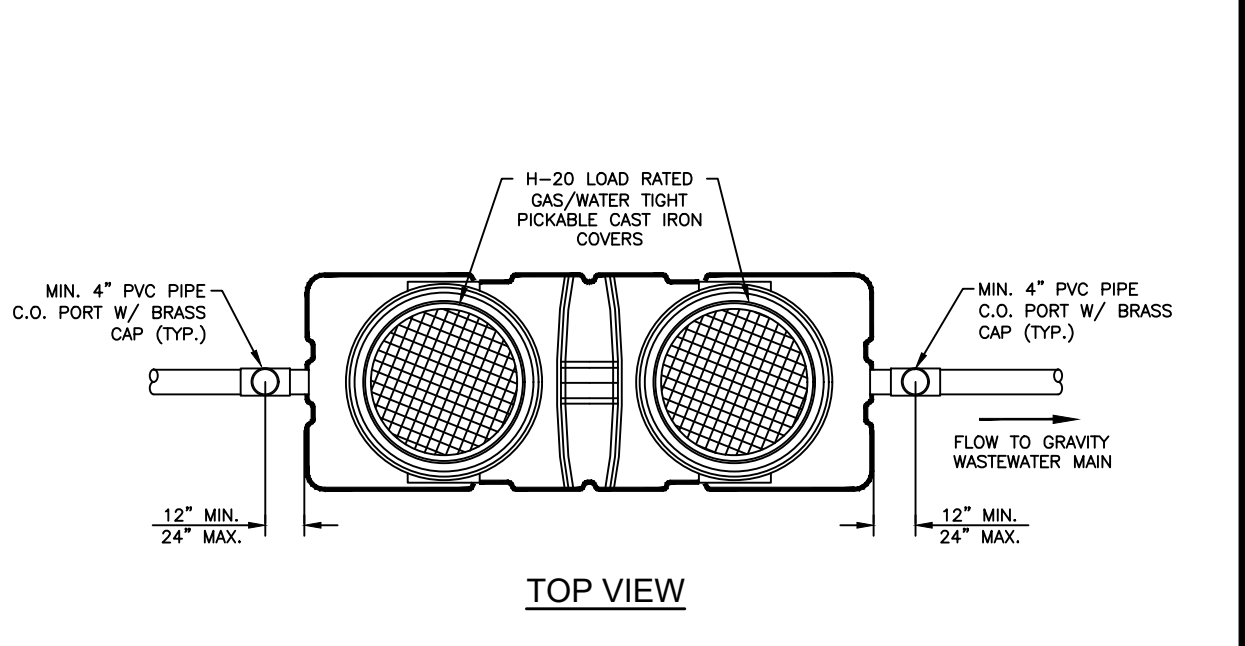
- NOTES: 1. SAND/OIL INTERCEPTORS SHALL BE WATER TIGHT AND GAS TIGHT... 2. SAND/OIL INTERCEPTORS SHALL BE BUILT OF PRECAST CONCRETE WHICH HAS A DESIGN COMPRESSIVE STRENGTH OF MINIMUM 3000 PSI...

2SA



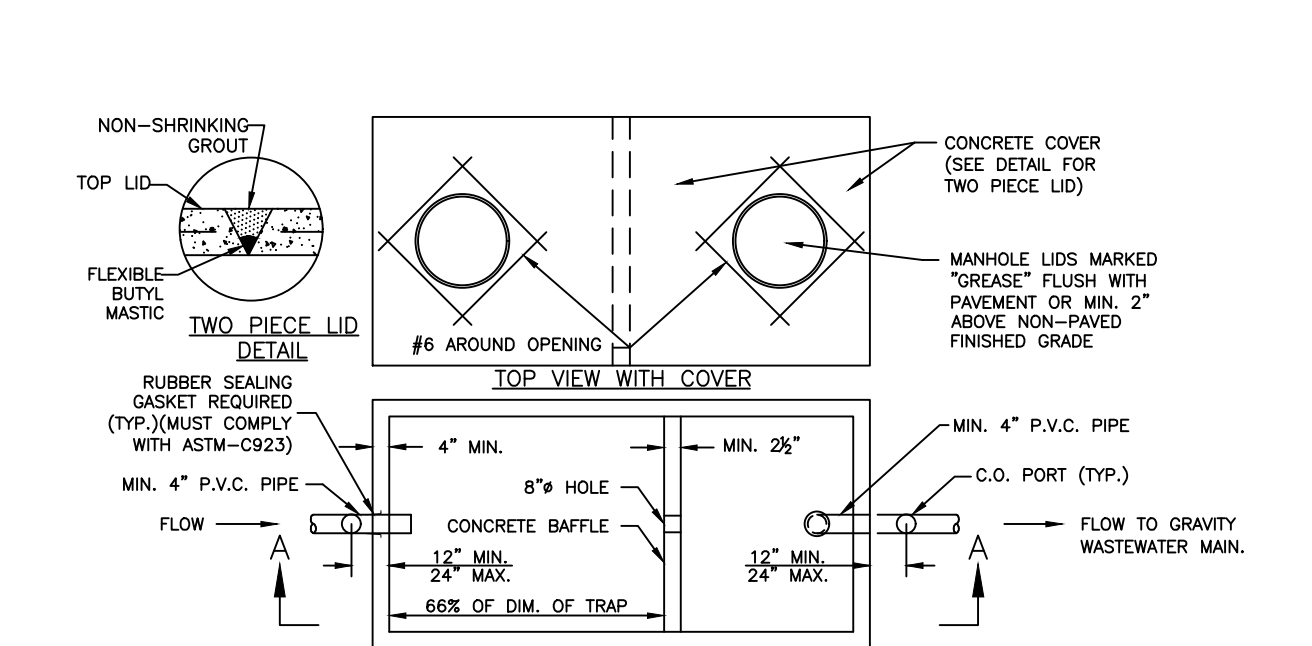
- NOTES: 1. SAND/OIL INTERCEPTORS SHALL BE WATER TIGHT AND GAS TIGHT... 2. SAND/OIL INTERCEPTORS SHALL BE BUILT OF PRECAST CONCRETE WHICH HAS A DESIGN COMPRESSIVE STRENGTH OF MINIMUM 3000 PSI...

2SB



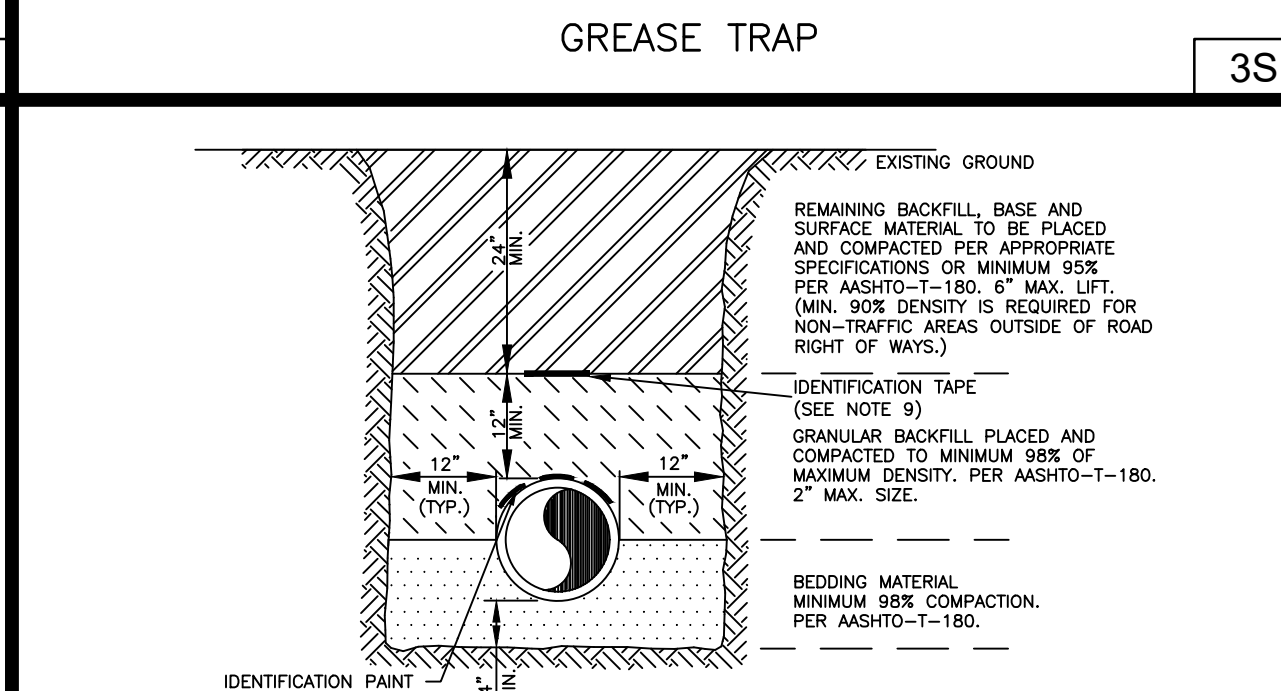
- NOTES: 1. OIL/GREASE INTERCEPTORS SHALL BE WATER TIGHT AND GAS TIGHT... 2. OIL/GREASE INTERCEPTORS SHALL BE BUILT OF PRECAST CONCRETE WHICH HAS A DESIGN COMPRESSIVE STRENGTH OF MINIMUM 3000 PSI...

1SA



- NOTES: 1. OIL/GREASE INTERCEPTORS SHALL BE WATER TIGHT AND GAS TIGHT... 2. OIL/GREASE INTERCEPTORS SHALL BE BUILT OF PRECAST CONCRETE WHICH HAS A DESIGN COMPRESSIVE STRENGTH OF MINIMUM 3000 PSI...

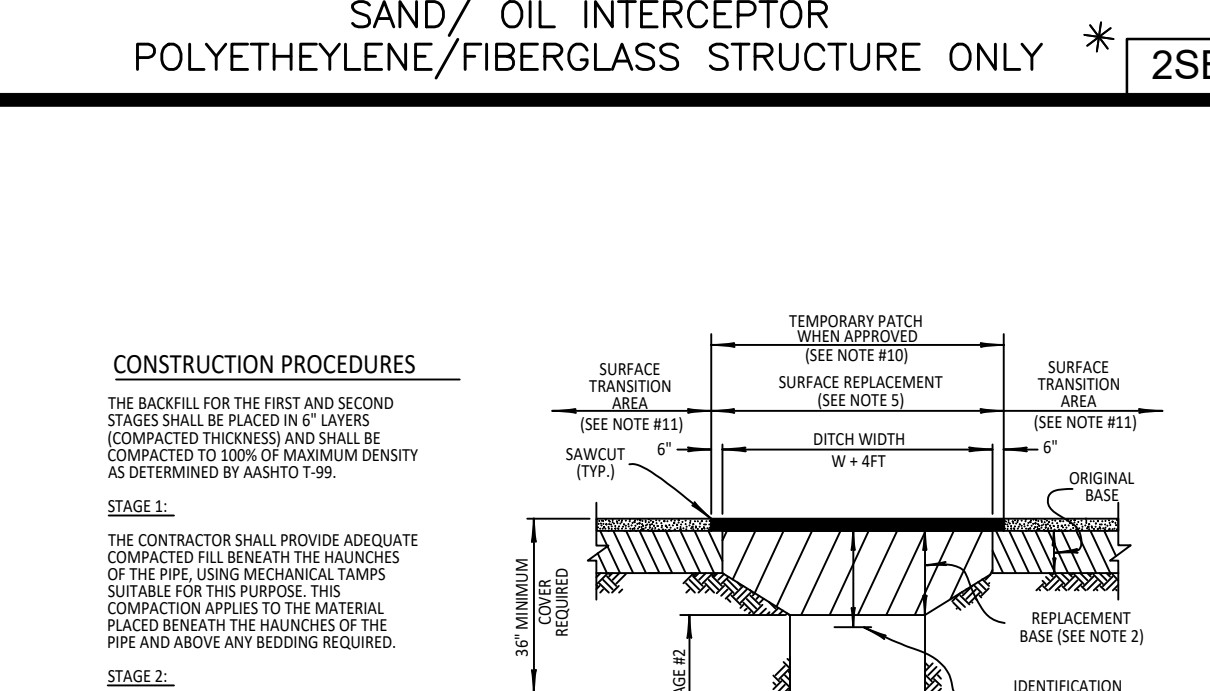
1SB



- NOTES: 1. BEDDING SHALL CONSIST OF IN-SITU GRANULAR MATERIAL OR WASHED AND GRADED LIME ROCK... 2. THE PIPE SHALL BE FULLY SUPPORTED FOR ITS ENTIRE LENGTH WITH APPROPRIATE COMPACTION UNDER THE PIPE HAUNCHES...

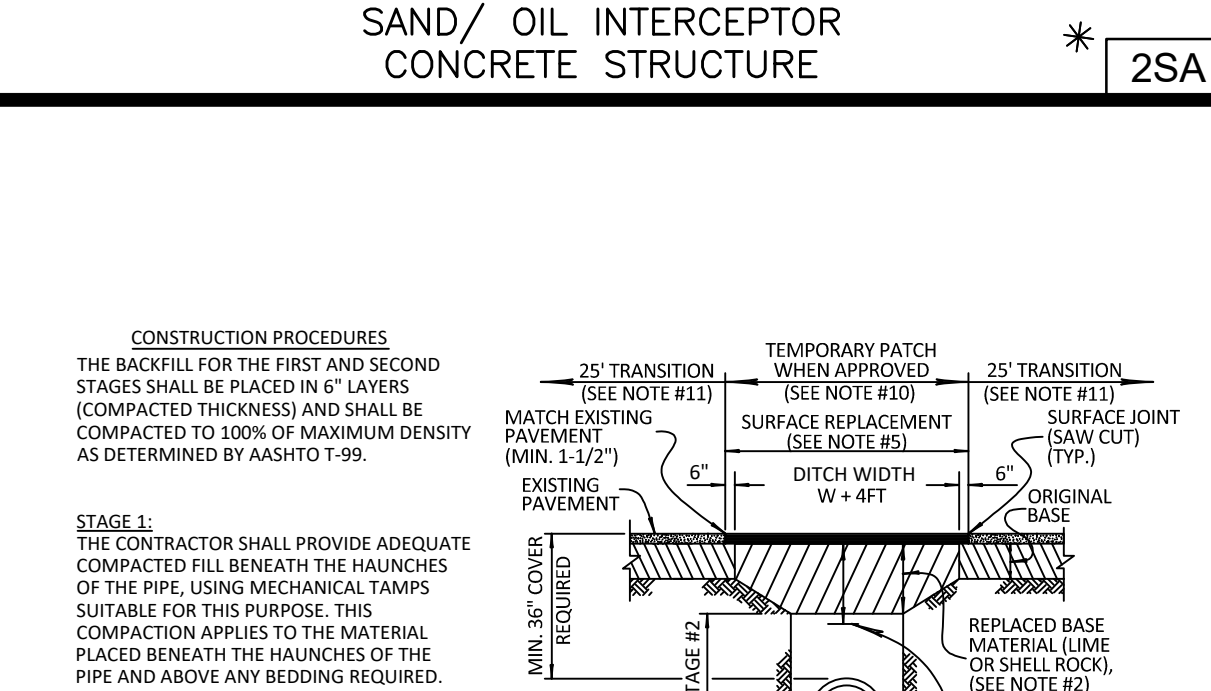
8S

CONSULTANT: WUD
DESIGNED BY: WUD
DRAWN BY: M. BUCKNER
CHECKED BY: J. LAMMERT
APPROVED BY: WUD
Palm Beach County Water Utilities Department
P.O. Box 16097
West Palm Beach, FL 33416-6097
Apr 07, 2023



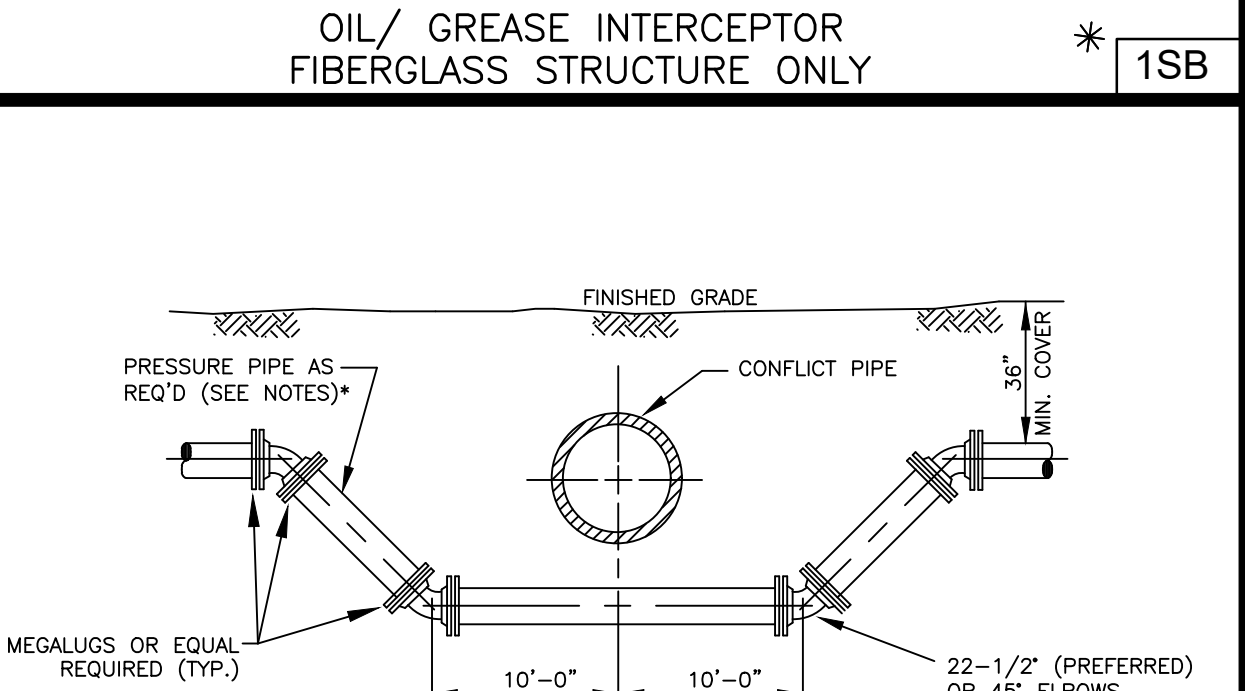
- CONSTRUCTION PROCEDURES: THE BACKFILL FOR THE FIRST AND SECOND STAGES SHALL BE PLACED IN 4 LAYERS... STAGE 1: THE CONTRACTOR SHALL PROVIDE ADEQUATE COMPACTED BED AND FILL ALONG THE SIDES OF THE PIPE AND TO A POINT INDICATING THE TOP OF SUB-GRADE MATERIAL.

7S



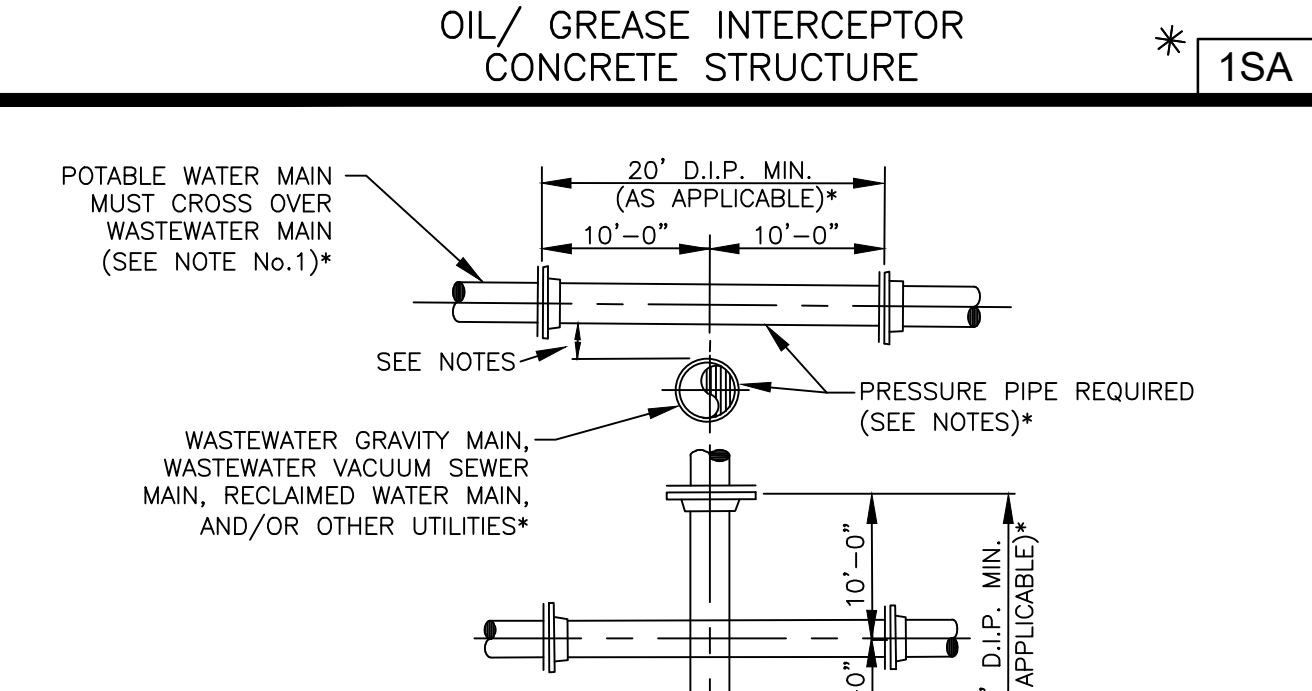
- NOTES: 1. BEDDING SHALL CONSIST OF IN-SITU GRANULAR MATERIAL OR WASHED AND GRADED LIME ROCK... 2. REPLACED BASE MATERIAL (PER LAND DEVELOPMENT DESIGN STANDARDS) OVER DITCH SHALL BE TWICE THE THICKNESS OF THE ORIGINAL BASE AND MATCH THE TYPE OF MATERIAL OF THE ORIGINAL BASE...

6S



- NOTES: 1. WHEN A WASTEWATER FORCE MAIN CROSSES OVER AND/OR UNDER A STORM SEWER, GRAVITY WASTEWATER, VACUUM GRAVITY WASTEWATER, AND/OR RECLAIMED WATER THE WASTEWATER FORCE MAIN SHALL BE LAID TO PROVIDE A MINIMUM TWELVE (12) INCH VERTICAL SEPARATION BETWEEN THE BOTTOM OF THE UPPER PIPE AND THE CROWN OF THE LOWER PIPE...

4S



- NOTES: 1. WHEN A WASTEWATER FORCE MAIN CROSSES OVER AND/OR UNDER A STORM SEWER, GRAVITY WASTEWATER, VACUUM GRAVITY WASTEWATER, AND/OR RECLAIMED WATER THE WASTEWATER FORCE MAIN SHALL BE LAID TO PROVIDE A MINIMUM TWELVE (12) INCH VERTICAL SEPARATION BETWEEN THE BOTTOM OF THE UPPER PIPE AND THE CROWN OF THE LOWER PIPE...

4S